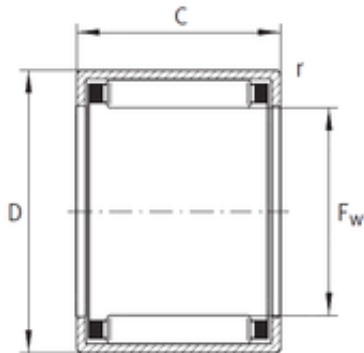




## China 6205 Bearing Supplier



HK5520 Bearing 2D drawings and 3D CAD models

### China Factory Deep Groove Ball Bearing HK5520

Bearing No. HK5520

Size	55x63x20 mm
Bore Diameter	55 mm
Outer Diameter	63 mm
Width	20 mm
Fw	55 mm
D	63 mm
C	20 mm
c1 min	—
r min.	0,8 mm
Weight	0,074 Kg
Basic dynamic load rating (C)	31,5 kN
Basic static load rating (C0)	67 kN
Fatigue load limit (Pu)	8,7
Reference speed	3 800 r/min
Category	Needle Non Thrust Roller Bearings
Inventory	0.0
Manufacturer Name	SCHAEFFLER GROUP
Minimum Buy Quantity	N/A
Weight / Kilogram	0.07
EAN	4012802444308
Product Group	B04144
Rolling Element	Needle Roller Bearing
Component	Roller Assembly with Outer Ring - No Inner Ring



## China 6205 Bearing Supplier

Enclosure	Open
Self Aligning	No
Retainer	Yes
Number of Rows of Rollers	Single Row
Separable	No
Closed End	No
Inch - Metric	Metric
Relubricatable	No
Thrust Bearing	No
Long Description	55MM Bore; 63MM Outside Diameter; 20MM Width; Needle Roller Bearing; Roller Assembly with Outer Ring - No Inner Ring; Open Enclosure; No Self Aligning; Retainer; Single Row of Rollers; No Separable; N
Other Features	2 Rib Outer Ring   Drawn Cup Bearing   Steel Cage
Category	Needle Non Thrust Roller Bearing
UNSPSC	31171512
Harmonized Tariff Code	8482.40.00.00
Noun	Bearing
Keyword String	Needle
Manufacturer URL	<a href="http://www.ina.com">http://www.ina.com</a>
Manufacturer Item Number	HK5520
Weight / LBS	0.163
Bore	2.165 Inch   55 Millimeter
Outside Diameter	2.48 Inch   63 Millimeter
Width	0.787 Inch   20 Millimeter